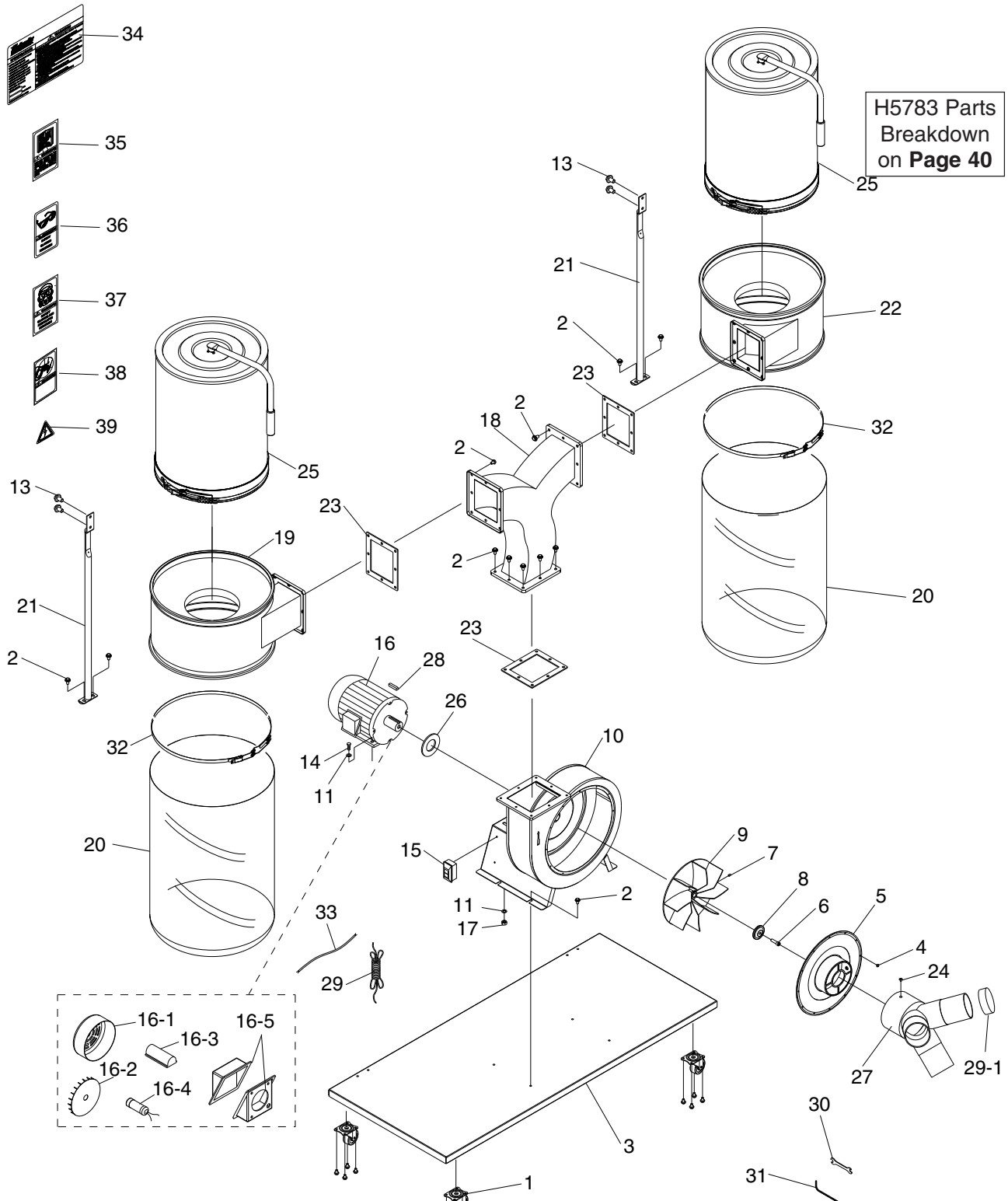


SECTION 10: PARTS

G0562Z Parts Breakdown



Presented by the Kansas City Woodworkers' Guild
<http://www.kcwoodworkersguild.org/>

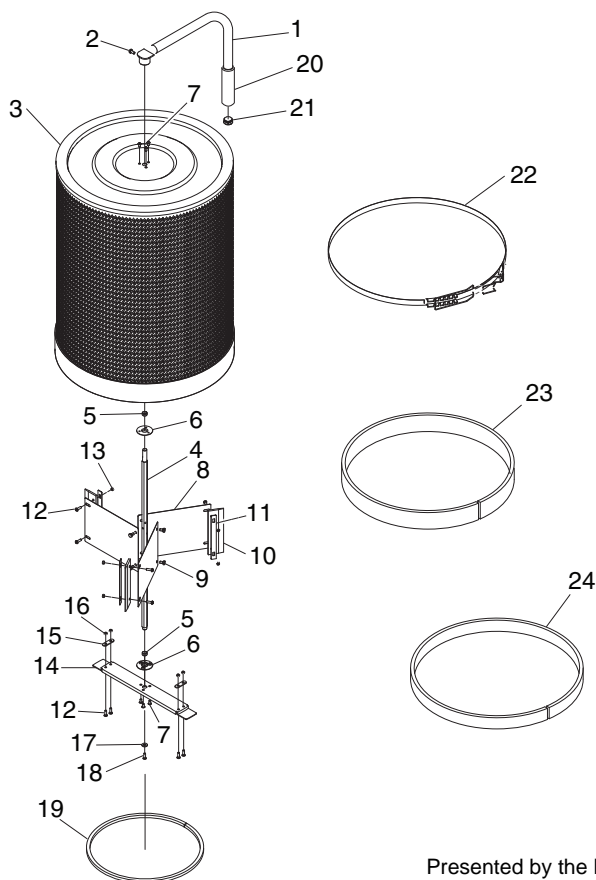


G0562Z Parts List

REF	PART #	DESCRIPTION
1	P1028Z2001	CASTER
2	PFB01	FLANGE BOLT 5/16"-18 X 1/2"
3	P1030Z2004	BASE PLATE
4	PS06	PHLP HD SCR 10-24 X 3/8
5	P1030Z2005	INLET COVER 7"
6	PSB121M	CAP SCREW M6-1 X 19 LH
7	PSS15	SET SCREW 3/8-16 X 3/8
8	P1028Z2009	SPECIAL WASHER
9	P1029Z2010	IMPELLER 12"
10	P1028Z2010	COLLECTOR BODY
11	PW07	FLAT WASHER 5/16"
13	PFB01	FLANGE BOLT 5/16"-18 X 1/2"
14	PB03	HEX BOLT 5/16"-18 X 1"
15	PSW04	ON/OFF SWITCH
16	P1030Z2016	MOTOR 3HP 220V 1PH
16-1	P1030Z2016-1	MOTOR FAN COVER
16-2	P1030Z2016-2	MOTOR FAN
16-3	P1030Z2016-3	CAPACITOR COVER
16-4	PC300B	CAPACITOR 300M 125V 1-3/4 X 3-3/8
16-5	P1030Z2016-5	JUNCTION BOX
17	PN02	HEX NUT 5/16"-18
18	P1030Z2018	METAL "Y" OUTLET

REF	PART #	DESCRIPTION
19	P1030Z2019	LEFT COLLECTOR
20	H6899	LOWER PLASTIC BAG
21	P1028Z2024	COLLECTOR SUPPORT
22	P0548Z024	RIGHT COLLECTOR
23	P1028Z2025	RUBBER GASKET
24	PS06	PHLP HD SCR 10-24 X 3/8
25	H5783	CANISTER FILTER ASSEMBLY
26	P1028Z2028	SPACER
27	P1030Z2027	INLET 7" W/THREE 4" PORTS
28	PK28M	KEY 7 X 7 X 29
29	PWRCRD220L	POWER CORD
29-1	P0562029-1	INLET CAP
30	PWR1012	WRENCH 10 X 12
31	P0562Z2031	SPECIAL HEX WRENCH 5MM
32	G3707	METAL BAG CLAMP
33	PWRCRD220S	MOTOR CORD
34	P0562034	MACHINE ID LABEL
35	PLABEL-12	READ MANUAL LABEL
36	PLABEL-11	SAFETY GLASSES LABEL
37	PLABEL-39	RESPIRATOR LABEL
38	PLABEL-59	HANDS/OUTLET LABEL
39	PLABEL-14	ELECTRICITY LABEL

H5783 Canister Filter Assembly



REF	PART #	DESCRIPTION
1	PH5783001	CLEANING HANDLE
2	PB83M	HEX BOLT M6-1 X 16
3	PH5783003	CANISTER FILTER
4	PH5783004	HEX SPINDLE
5	PH5783005	THRUST BEARING 12 X 14 X 6
6	PH5783006	BEARING PLATE
7	PS09M	PHLP HD SCR M5-.8 X 10
8	PH5783008	FLAP BOARD
9	PB04M	HEX BOLT M6-1 X 10
10	PH5783010	RUBBER FLAP
11	PH5783011	FLAP PLATE
12	PS20M	PHLP HD SCR M5-.8 X 15
13	PLN02M	LOCK NUT M5-.8
14	PH5783014	BOTTOM PLATE
15	PH5783015	SUPPORT TAB
16	PN06M	HEX NUT M5-.8
17	PW06	FLAT WASHER 1/4
18	PS68M	PHLP HD SCR M6-1 X 10
19	PH5783019	SPONGE GASKET 10 X 15MM
20	PH5783020	HANDLE SLEEVE
21	PH5783021	HANDLE CAP
22	PH5783022	QUICK RELEASE CLAMP
23	PH5783023	FOAM STRIP 4 X 20MM
24	PH5783024	FOAM STRIP 5 X 42MM

