

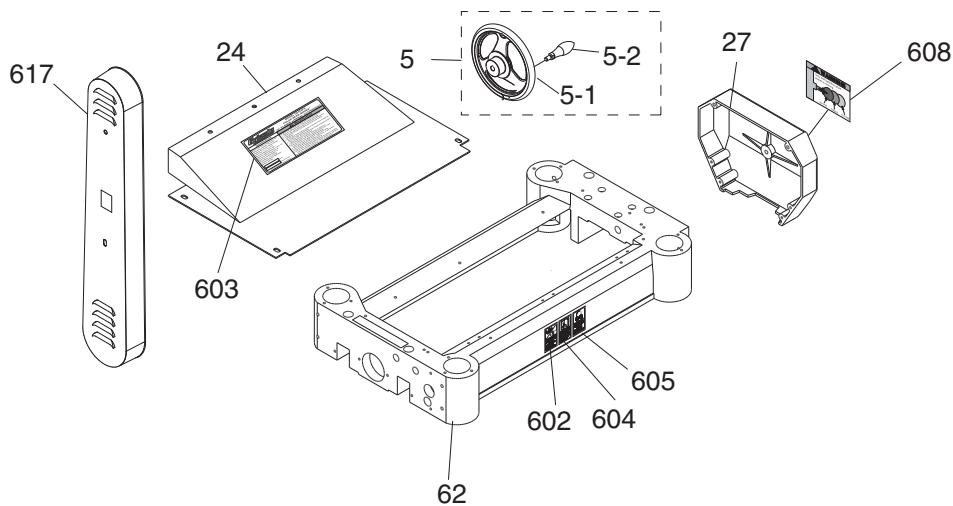


**MODEL G0453PX
POLAR BEAR SERIES™
15" PLANER
w/SPIRAL CUTTERHEAD
MANUAL INSERT**

Congratulations on your purchase of a Model G0453PX Planer! The Model G0453PX is the same machine as the Model G0453Z but with a "cool" new look. All parts differences are shown below. Except for the differences noted in this insert, all other content in the Model G0453Z manual applies to this machine. Before operating your new machine, you **MUST** read and understand this insert, and the entire G0453Z manual to reduce the risk of serious personal injury.

If you have any questions about this manual insert or the differences between the Model G0453PX and the Model G0453Z, contact our Technical Support at (570) 546-9663 or email techsupport@grizzly.com.

Headstock Parts Breakdown

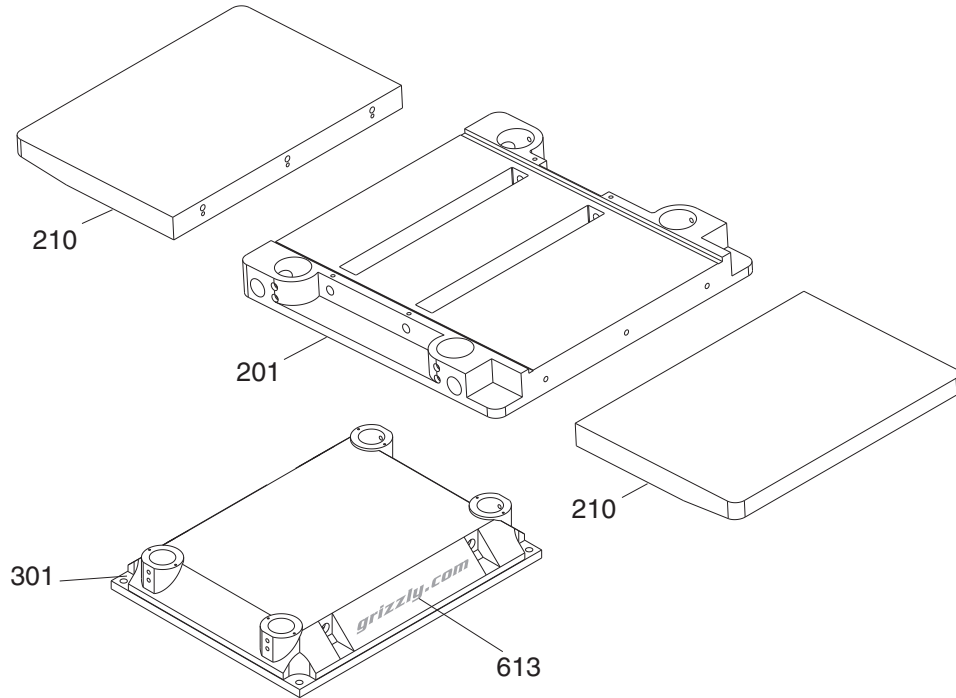


REF	PART #	DESCRIPTION
5	P0453P005	HANDWHEEL ASSEMBLY
5-1	P0453P005-1	HANDWHEEL
5-2	P0453P005-2	HANDLE M12-1.75
24	P0453P024	UPPER COVER
27	P0453P027	GEAR BOX COVER
62	P0453P062	HEAD CASTING

REF	PART #	DESCRIPTION
602	PLABEL-37	GLASSES/RESPIRATOR LABEL
603	P0453PX603	MACHINE ID LABEL
604	PLABEL-12A	READ MANUAL LABEL
605	PLABEL-15	HEARING PROTECTION LABEL
608	P0453P608	GEARBOX SPEED LABEL
617	P0453P104	BELT COVER

COPYRIGHT © JUNE, 2010 BY GRIZZLY INDUSTRIAL, INC.
WARNING: NO PORTION OF THIS MANUAL MAY BE REPRODUCED IN ANY SHAPE OR FORM WITHOUT THE WRITTEN APPROVAL OF GRIZZLY INDUSTRIAL, INC.
 (FOR MODELS MANUFACTURED SINCE 5/10) #BL12964 PRINTED IN CHINA

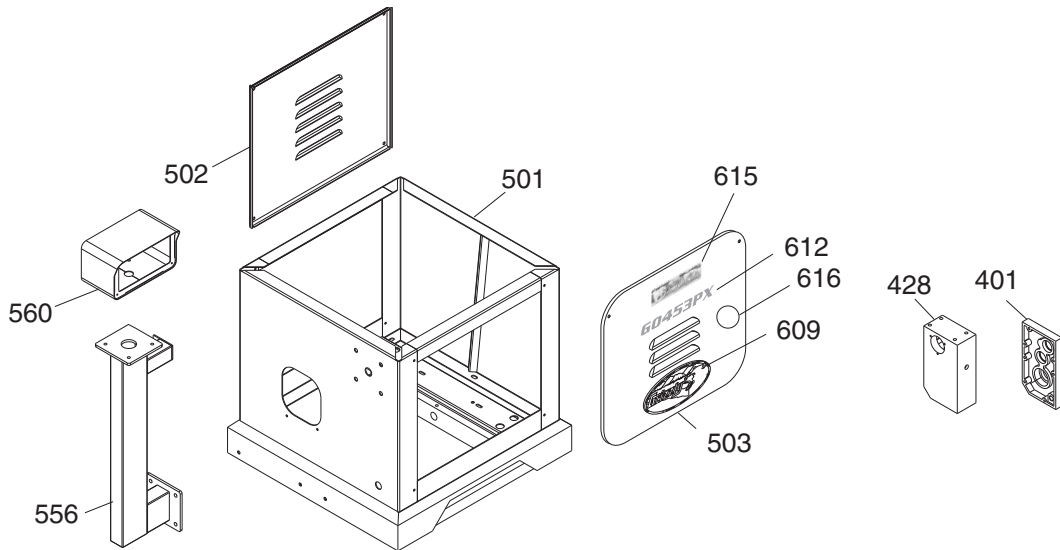
Table and Base Parts Breakdown



REF	PART #	DESCRIPTION
201	P0453P201	TABLE/BED
210	P0453P210	EXTENSION WING

REF	PART #	DESCRIPTION
301	P0453P301	BASE
613	P0453P613	GRIZZLY.COM LABEL GREEN

Stand and Gearbox Parts Breakdown



REF	PART #	DESCRIPTION
401	P0453P401	GEAR BOX COVER
428	P0453P428	GEAR BOX
501	P0453P501	ENCLOSED STAND
502	P0453P502	BACK COVER
503	P0453P503	FRONT COVER
556	P0453P556	SUPPORT ARM

REF	PART #	DESCRIPTION
560	P0453P560	CONTROL BOX
609	G8588	GRIZZLY LOGO PLATE
612	P0453PX612	MODEL # LABEL
615	PLABEL-75	POLAR BEAR LOGO 2-1/2 X 9-1/2
616	PPAINT-24	PB WHITE TOUCH-UP PAINT



MACHINE DATA SHEET

Customer Service #: (570) 546-9663 • To Order Call: (800) 523-4777 • Fax #: (800) 438-5901

MODEL G0453PX

POLAR BEAR SERIES 15" PLANER w/SPIRAL CUTTERHEAD

Product Dimensions:

Weight 655 lbs.
 Length/Width/Height 42" x 32" x 45⁷/₈"
 Foot Print (Length/Width)..... 22¹/₂" x 22"

Shipping Dimensions:

Type Wood
 Content..... Machine
 Weight..... 675 lbs.
 Length/Width/Height..... 31" x 30" x 47"

Electrical:

Power Requirement 220V, Single-Phase, 60 Hz
 Switch..... Magnetic with Thermal Overload Protector
 Switch Voltage 220V
 Cord Length 5 ft.
 Cord Gauge 12 gauge
 Minimum Circuit Size 20 Amp
 Plug Included No
 Recommended Plug/Outlet Type..... 6-20

Motors:

Main

Type..... TEFC Capacitor Start Induction
 Horsepower 3 HP
 Voltage 220V
 Phase Single
 Amps 15A
 Speed 3450 RPM
 Cycle..... 60 Hz
 Number Of Speeds..... 1
 Power Transfer Triple V-Belt Drive
 Bearings Sealed and Lubricated

Main Specifications:

Operation Info

Maximum Cut Width 15"
 Min. Stock Length..... 8"
 Min. Stock Thickness ³/₁₆"
 Maximum Stock Thickness..... 8"
 No. Of Cuts Per Inch 56, 104
 No Of Cuts Per Minute 20,000
 Cutterhead Speed 5000 RPM
 Planing Feed Rate..... 16, 30 FPM
 Max. Cut Depth Planing Full Width ³/₃₂"
 Max. Cut Depth Planing 6 Inch Wide Board ¹/₈"



Cutterhead Info

Cutterhead Type.....	Spiral
Cutterhead Diameter	3"
No. Of Cutter Spirals	4
No. Of Indexable Cutters.....	74
Cutter Insert Type.....	Indexable Carbide
Cutter Insert Size Length	14 mm
Cutter Insert Size Width	14 mm
Cutter Insert Size Thickness2 mm

Table Info

Table Movement.....	8 in.
Table Bed Size Length.....	20"
Table Bed Size Width.....	15"
No. Of Bed Rollers	2
Floor to Table Height.....	27 – 35"
Roller Ext Table Size Length.....	42"
Roller Ext Table Size Width	15"
Roller Ext Table Size Thickness	1¼"

Construction

Table Construction	Precision-Ground Cast Iron
Body Construction	Cast Iron
Stand Construction.....	Formed Steel
Cutterhead Assembly Construction.....	Steel
Infeed Roller Construction.....	Solid Serrated Steel
Outfeed Roller Construction	Solid Serrated Steel
Paint	Powder Coated

Other

Table Locks	Two Positive
Measurement Scale	Inch and Metric
No. Of Dust Ports	1
Dust Port Size	4"
Mobile Base.....	Built-In

Other Specifications:

Country Of Origin	China
Warranty.....	1 Year
Serial Number Location	ID Label on Upper Cover
Customer Setup and Cleaning Time.....	1½ Hours

Features:

- White Powder Coated Paint
- Spiral Cutterhead with German-Made Indexable Carbide Inserts
- Inch and Metric Measurement Scale
- Two Adjustable Bed Rollers
- Chip Breaker and Pressure Bar
- Board Return Rollers
- Built-In, Easy-to-Use Mobile Base
- Cast Iron Extension Wings
- Four Column Support with Table Locks
- Two Speed Automatic Board Feed

