



# Wood Words

Kansas City Woodworkers Guild [www.kcwoodworkersguild.org](http://www.kcwoodworkersguild.org)

Volume 24 Issue 1

January 08

Guild Meetings:  
Jacob's Well Church,  
1617 W. 42nd St.,  
KC Mo. 64111

**Membership  
Dues are Now  
Due**

## DIRECTORS-OFFICERS:

**President:** Jim Bany  
(913) 341-3559  
[jimbany@aol.com](mailto:jimbany@aol.com)

**Vice President:** Mike Jones  
(816) 204-6406  
[mikej@completehomeconcepts.com](mailto:mikej@completehomeconcepts.com)

**Secretary:** Phil Akers  
(816) 320-3780  
[pakers@ford.com](mailto:pakers@ford.com)

**Treasurer:** Aaron Menning  
(913) 707-1000  
[aaron@menning.com](mailto:aaron@menning.com)

**Events:** Roger Grout  
(913) 829-4654  
[grout@weitz.com](mailto:grout@weitz.com)

**Communication:** Nan Melton  
(913) 831-9809  
[nan\\_luvbeachtravel@yahoo.com](mailto:nan_luvbeachtravel@yahoo.com)

**Sponsorship:** Kevin McAndrew  
913 381-5714  
[kjmkevmack@bigfoot.com](mailto:kjmkevmack@bigfoot.com)

**Membership:** Wayne Suter  
816 916-6230  
[wlsuter@earthlink.net](mailto:wlsuter@earthlink.net)

**Training:** John Johnson  
(913) 642-0054  
[johnsonje@bv.com](mailto:johnsonje@bv.com)

**Education:** Bill Evans  
(816) 847-2318  
[billevans@aol.com](mailto:billevans@aol.com)

**Video:** Don Kruse  
**Books:** George Rexroad

**Editor:** Kevin Thomas  
[kv1014@sbcglobal.net](mailto:kv1014@sbcglobal.net)  
**Webmaster:** William Johnston  
[johnston@everestkc.net](mailto:johnston@everestkc.net)

**January Raffle:** Bill Evans will have his usual assortment of items

**Next Meeting Wed. January 16th, 7 PM**

**Program: Overland Tools with Dan Bashaw**

## Sawdust: The Presidents Corner

*Jim Bany*



Hello to everyone and here's wishing you all a Happy New Year. I'm still on vacation as I'm writing this and it has been an interesting and fun time Down Under.

A few years back the Kansas City Woodworkers Guild used to exchange newsletters from a woodworkers club in Wagga Wagga, New South Wales, here in Australia. Wagga Wagga has a population of about 60,000 and is approximately an hour's drive north from where my wife grew up. I made contact with the club and they invited me to pay them a visit.

The club has about 65 members who are a combination of Woodturners and woodworkers. They meet twice a week on Thursday and Saturday mornings from 8:00 AM until Noon. The city gave them a space within the Botanical Gardens. The space (shed) is

not large and I daresay some of our own shops are bigger, so when 20 people are each working on a project it feels very small. The members have each contributed funds to purchase shop equipment and they pay \$35.00 per year for dues. In addition, the Australian government has a program that gives out grants to groups that provide activities for retirees, and that helps fund their costs.

They have a collection of Jet and other assorted tools. This community shop has no dust collection system so everyone was doing their own cleaning by hand. One other thing I found, some of the leaders were indexing all of their wood-working magazines on a computer. They had all the back issues of Fine Woodworking, Woodsmith, Woodworkers Journal, and several others. One of the problems for them is making the conversion from fractions to metric. I heard a few negative comments about "you Yanks and your bloody fractions".

*(Continued on page 2)*

PLEASE PATRONIZE OUR  
SPONSORING MEMBERS



[www.Shop.MontereyWoods.com](http://www.Shop.MontereyWoods.com)



**Home Storage Solutions**  
(816) 916-6230



**Elmwood Reclaimed Timber**  
(816) 532-0300



**Liberty Hardwoods**  
(816) 231-0852



**Paxton Woodcrafters**  
(816) 483-0659



**PlansNow**  
[www.PlansNOW.com](http://www.PlansNOW.com)



**Schutte Lumber**  
(816) 753-6262



**Strasser Hardware**  
(816) 236-5858



**Klockit**  
800 556-2548



**Wood By Design**  
(913) 962-0159



**Woodcraft Supply**  
(913) 599-2800



**Woodline**  
(800) 472-6950



**Microplane**  
800 555-2767



**Ozark Lumber**  
479 253-5994



**Hartville Tools**  
[www.hartvilletool.com](http://www.hartvilletool.com)



**Klingspor's Woodworking Shop**  
[www.woodworkingshop.com](http://www.woodworkingshop.com)

I marvel at how many varieties of woods there are that are native to Australia. Another item of interest to me is the cost of tools. For the most part, tools are twice the cost here in Australia than what they are in the States. Also, the Aussie woodworkers don't have nearly the vast selection that we do so I'm not going to complain the next time I purchase sandpaper.

I had a very good experience for the short time I spent with the Wagga Wagga group and I'm going to stay in contact with them. I came away with the feeling that I had been in a special place, and like woodworkers everywhere, with very special people. So what's going on in your shop?



### The Woodworking Show

The Woodworking Show will be in Kansas City on February 1, 2, and 3. The show contains the latest in woodworking tools and supplies as well as informative seminars and demonstrations.

This show provides the Guild an excellent opportunity to present our club to prospective members. We will be participating again this year at our booth. We need your help to make this a success.

1. Display items. Woodworking projects, jigs, etc. no matter how big or small.
2. Demonstrations. Demonstrate a skill, tool, or discuss a project. We have committed to provide nine 15 minute demonstrations as a part of the "strolling seminar" (new this year).
3. Volunteers to work in the booth.

Admission to the show is free for all volunteers.

Please contact **Roger Grout** at 913-488-9148, or [roger.grout@weitz.com](mailto:roger.grout@weitz.com) if you are interested in participating.

### Update on Andre's Bench and Table Projects

Jim Bany and I met with Marcel before Christmas and have finalized these two projects. There will be 16 four person tables and 14 two-person tables. Accompanying the tables will be 19 full benches and 6 half benches for the four-person tables and 3 full benches for two-person tables. That is a total of 30 tables and 28 benches. Wow – that is a tall order!!! We have agreed to deliver the tables by June and the benches before Christmas. I believe there is suitable time for a volunteer driven organization, but it will not be easy. Aaron Menning and I will finalize the fabrication drawings this month and expect to move into production of the tables in February and the benches by July. Expect 2008 to be a very exciting year while we meet the challenges these two projects will provide!!!

Our immediate need is to identify at least 6-8 team leaders. A team leader will be responsible for a specific component and will have a group of volunteers assigned to them. Team leaders should be accomplished wood workers. Team size will be dependent on the project. We will try to organize the teams by location. In addition to these teams, there will be one team responsible for developing the various jigs and templates and another for finishing. A team leader will need access to a workshop where multiple people can work or at least be able to assign certain tasks. At the January Meeting, there will be a sign-up sheet for leaders and volunteers.

There will be a short presentation at the January meeting. If you are unable to attend, but want to volunteer as a Team Leader or assistant, please email me at [johnsonje@everestkc.net](mailto:johnsonje@everestkc.net) or call me at home, 913642-0054.

Thank you very much. **John E. Johnson**, Director of Training

### TREASURY REPORT

(January 2008)

**Beginning Balance-** \$5,466.64

**Income-** \$75.00

**Expenses-** \$718.24

**Ending Balance-** \$4,823.40

**Paid Members-**

**Senior-**36

**Regular-**70

**Associate-**10, **Sponsor-** 2

## Membership Benefits

It's that time of year to start considering renewal of your Guild membership. So here is a reminder of our 4 different levels of membership and their annual fees

### Member - \$35

#### Benefits

- \*\* Demonstrations
- \*\* Exchange of Knowledge
- \*\* Fellowship
- \*\* Free access to the Guilds Video & Print Library
- \*\* Lectures and/or Demonstrations from Master Woodworkers
- \*\* Mentoring Program
- \*\* Monthly Newsletter
- \*\* Tool Reviews
- \*\* Safety Programs
- \*\* Community Service Programs
- \*\* Purchase Discounts
- \*\* Auctions
- \*\* Guild Membership Directory (Coming Soon)

### Senior (Over 65)- \$25

- \*\* All regular Member Benefits

### Associate Member- \$50

An Associate Member is an Individual that is led through the Fellowship and Learning of the Guild to step up their Membership as a means of Thanks. The following additional benefits will be awarded to these individuals as a Thank You from the Guild back to them as the Guild's way of saying Thank You for the additional support.

- \*\* All Regular Member Benefits– Plus:
- \*\* 20% discount on Guild Activities (trips, seminars, & training)
- \*\*20% discount on Guild Merchandise

\*\*Personal Space made available on the Guild's web site

### Sponsor- \$100

\*\* All Regular Member Benefits (for 1 person)- Plus:

\*\*Advertisements in the Guild's Monthly Newsletter, the Guilds Website, and the Membership Directory

\*\*Tax write off for yearly dues

\*\*Access to Membership through Newsletter, Web Site, and Membership Directory.

Want to help cut guild monthly costs? Consider receiving the newsletter via email. It is faster and comes in color. If you are interested, please send an email to William Johnston at: [johnston@everestkc.net](mailto:johnston@everestkc.net), or add your email to the Attendance list at the monthly meetings.

**Newsletter Deadline: 1st of the month:**

**Please send all submissions for articles, tips, want ads announcements and anything else to Kevin Thomas: 816 941-8865 email: [kv1014@sbcglobal.net](mailto:kv1014@sbcglobal.net)  
100 W. 96th Terrace, Kansas City, MO 64114**

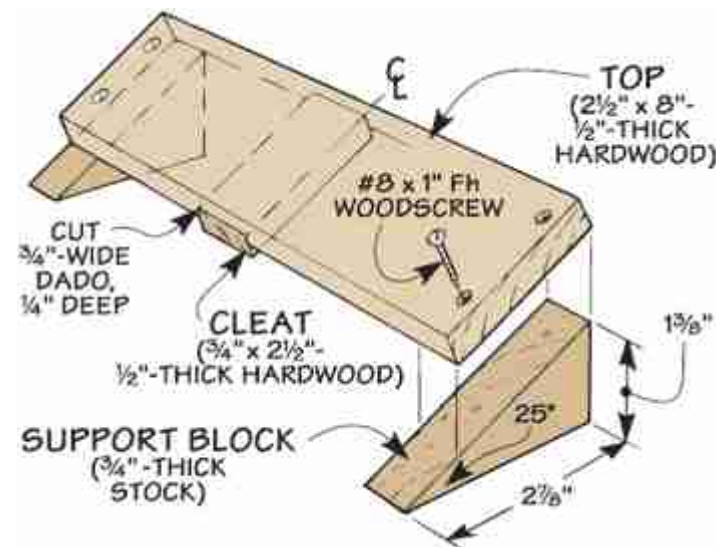
## Shop Tips

### Sharpening Guide



I use sandpaper to sharpen my chisels. By “sanding” the bevel of the blade flat and smooth, it produces a sharp edge in just a few minutes.

The problem is holding the chisel at a consistent angle as you sharpen. To do this, I clamp the chisel to a simple sharpening guide (see photo).



As you can see in the drawing at the right, the guide starts off as a pair of wedge-shaped support blocks that hold the top at a 25° angle. To square up the chisel (and keep it from shifting), it sits against a wood cleat that’s glued into a dado cut in the top.

To set up the guide, place the chisel against the cleat and slide it down until the bevel is resting on a flat surface (not on the sandpaper). Then clamp the chisel in place and “scrub” it back and forth across the sandpaper. Note: I start with 180-grit sandpaper and work up through 400 grit.

Printed by permission of: © August Home Publishing Co.  
All rights reserved. For more tips like this, visit:  
[www.WoodworkingTips.com](http://www.WoodworkingTips.com)

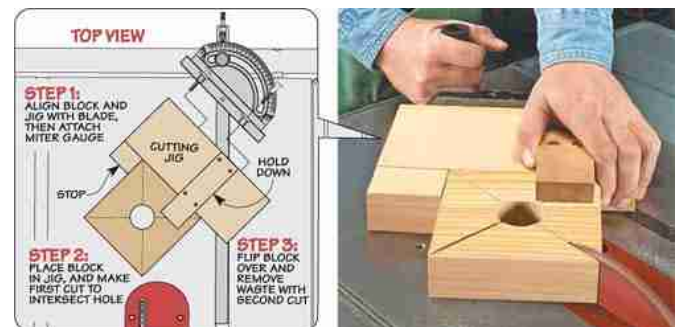
### Corner Clamping Blocks



Whenever I glue up a case, it’s always a challenge to spread the glue in the joint, assemble and square up the parts, and then install the clamps before the glue sets up. To make the job easier, I made a set of large corner clamping blocks, like you see in the photo at the right, to use with band clamps.

I started with square blocks of 2x6 stock so the corner blocks would be wider than the straps of the band clamp. Then I used a 1 3/4"-dia. Forstner bit to drill a hole in the center of the block. This hole lets the block fit around the corner without marring the case and leaves a space for any glue that might squeeze out around the joint.

In order for the blocks to fit around the case, a 90° notch is cut. To make this notch, you’ll need to make a simple jig (illustration and photo below). You’ll use this jig and the miter



gauge on your table saw to hold the corner block firmly in place while you make two cuts in the block at right angles to one another. A cleat screwed to the top of the jig holds the workpiece down. And a stop block along one side keeps the workpiece in position as the cut is made on the table saw.

To make the cuts, set your miter gauge to 45°, align the block and jig to the blade, and then attach the jig to the miter gauge. Next, place the block in the jig with the wood grain parallel to the miter gauge and cut the first angle. Then flip the block over and make a second cut.

Four clamping blocks work for small assemblies. But for larger cases, you may need to use two blocks in each corner. Just position the clamping blocks at each corner and tighten the band clamp around the blocks.

Printed by permission of: © August Home Publishing Co.  
All rights reserved. For more tips like this, visit:  
[www.WoodworkingTips.com](http://www.WoodworkingTips.com)

## Member of the Month Arnold Baker

By Nan Melton



Our January Member of the Month, Arnold Baker, has a long and rich history in wood-working, learning at his grandfather's side from his boyhood. His grandfather, though a farmer, had worked in the coal mines near Macon, Missouri, and learned "old-time" carpentry from building structures on the mining site. He started out learning hand tools, and came to respect chisels as his favorite hand tool, watching the amazing use his grandfather put them to use.

The first power tool he used with his grandfather with an old Miller ½" electric drill; several years later they got a Skill saw. When in high school, they got a Sears table saw, which he still has. He got it when Grandpa got a radial arm saw. He claims the table saw is his favorite power tool. Not being able to hand saw straight and true, he spent a lot of time compensating for that, and the table saw solved that problem.

Arnold claims no particular specialty. His first major project was a cedar chest in high school shop class. Over the years, he has done a lot of "utilitarian" projects—shelves, workbenches, cabinets, storage boxes and benches, but has also done a variety of items for gifts: cutting boards, quilt racks, turned bowls, candleholders, bird feeders, bird houses, and recently learned to do decorative jewelry boxes, his favorite project (for now.) His favorite wood is walnut, that being the main hardwood he had available when he was growing up. He made a kingsize headboard, several bookcases, boxes and shelves, among other things, with walnut and appreciates the warm glow of its finish.

Speaking of finishes, his favorite is a homemade finish, a mixture of spar varnish, linseed oil and turpentine, though he'll also use tung oil if he's in a hurry. In addition to all the items he has created, he has refinished several chest, dressers and gun stocks.

Arnold has been a guild member for over 15 years, at one time serving as program coordinator, and as vice-president. He has also presented several programs over the years. As a further "claim to fame", in 1993 he was the first free-

lance writer for Woodsmith magazine, issue 85.. He did a stackable box system made from slates that interlock so the boxes could be built into bookcases.

Arnold's work schedule has prevented him from participating in any of the trips or weekend activities, but he enjoys most the programs and the show and tell. He also liked the outreach projects where he can work on items on his own schedule and bring them back for distribution, like making toys several years ago.

Arnold's tips? He recommends doing your research before buying tools; the cyclone dust collector he showed a few months ago being a good example. He is planning to get that company's shop size unit for his whole shop. He's also in the process of installing a digital readout on his 50-year old table saw, judging that to be a better solution for his aging eyesight than an Inkra or Jointech fence. He's also researching building a computer-controlled router for doing inlay and carving on gift projects.

His response to the "best deal on a tool" question is the most interesting response we've gotten. He follows his own advice and researches a tool that will meet or exceed his needs—then shops for price once he knows exactly what he wants. Focusing on value rather than price, it's more important to him to get the job done more easily or precisely than to save a few dollars.

Arnold, thank you for sharing your experience with us, and congratulations for being our January Member of the Month!



## Antique Tool of the Month

By Don Kruse

The tools this month are patented by Birdsill Holly of Seneca Falls, New York. The SILSBY, RACE AND HOLLY COMPANY manufactured tools in Seneca Fall from 1848 to 1859. The plane manufacturing started in 1852 with a patent dated July 6 of that year. The oldest Holly plane is pictured on the left. The iron sleeve holding the blade to the frog is held in place with a wooden wedge. This wooden wedge was soon replaced with a thumbscrew, as seen in the second plane from the left. Later planes have conical or fluted corrugations. The fluted corrugations are present on the third in the picture. I also have one with conical corrugations but could not locate it for the picture. The depressions look as though they were cut with a drill bit. The fourth plane is a block plane with a shoe-buckle type of cap. This same type of cap was used on the early Stanley number 110 planes. The plane on the right is a brass copy of a Holly plane with fluted corrugations. The corrugated plane and the brass copy are shown in the second picture.



The patent papers for the first plane state that the width of the throat may be changed by placing the wooden wedge either behind on in front of the blade.

In 1859 Holly moved to Lockport, New York and established the Holly Manufacturing Co. The company he left became the Silsby Manufacturing Co., which was known for its Holly pumps and steam fire engines.

Holly was granted over 150 patents for everything from planes to steam heating, fire hydrants and central heating systems.

References: "Patented Transitional and Metallic Planes in America" by Roger K. Smith. Volumes I and II



### Wanted: Your Presentation

It you have a demonstration you'd like to share with the other members of the Guild, now's the time to step up. Bill Evans is putting together programs for the coming months and your help is needed. If you would like to put on a program or have an idea for a program please contact Bill at the next meeting or call him at 816-847-2318 or email at [billevans@aol.com](mailto:billevans@aol.com).

### Wanted Writers

Do you have a humorous story of your woodworking adventures? Or maybe you'd like to pass along a technique you've learned along the way? We are looking for stories or articles written by Guild members to publish here and on the Website. If you're interested, either email Bill Johnston at [Johnston@everestkc.net](mailto:Johnston@everestkc.net) or Kevin Thomas at [kv1014@sbcglobal.net](mailto:kv1014@sbcglobal.net)

### Christmas Party 2008



**Chef David Roth**



**Let's Dig In!**



**Mmm, Good!**



**2X4 Winner—  
James Childress**



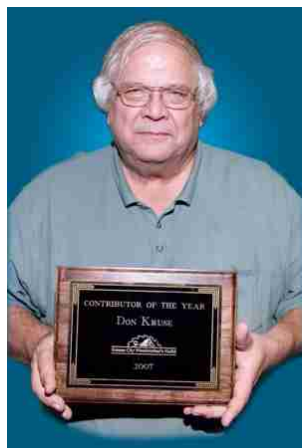
**2x4 2nd Place—  
David Roth**



**2x4 3rd Place—  
Tim Helfrich**



**2x4 Contestant—  
Cliff Bell**



**Contributor of the Year  
Don Kruse**



**Marine Corp Box—  
Rachel Roush**



**Zebrawood & Red-  
wood Burl Pens  
Bill Evans**



P.O. Box 413922  
Kansas City, MO. 64141

### Meeting Minutes

#### News / Business:

The Christmas Party was the order of the day. Great food and even better friendly conversation with other Guild members and their guests. A special thanks to Chef **David Roth** and his helpers for a simply fantastic meal.

We even had a new member with us, for the Christmas Party, as **Stan Dirkson** joined us.

During dinner, members were to place their vote for their favorite in the 2X4 contest. The winners were as follows:

Winner- **James Childress** \$100 dollar gift certificate

Entry – Big Timer Pocket Knife

Made from walnut, cherry, ash & maple and finished with oil and wax.

2<sup>nd</sup>. Place – **David Roth** \$50 dollar gift certificate

Entry – Chess set

Made from unknown wood. Chess pieces were cut out on scroll saw.

3<sup>rd</sup>. Place – **Tim Helfrich** \$25 dollar gift certificate

Entry – Star shaped picture frame

Made from fish tail oak & finished with poly.

Runner up – **Cliff Bell**

Entry – Clock

Made from burl maple & walnut

Finished with oil

After the contest results were announced, it was time to hand out some awards to some very deserving members.

#### **2007 KCWG Awards:**

Member of the Year – **Chuck Slagle**

Lifetime Member – **Dave Kraatz**

Contributor of the Year – **Don Kruse**

Chuck and Dave couldn't be with us for the meeting. Both will be presented their awards at the January meeting. Kudos all around for three great guys.

### Calendar

Executive Meetings, 7:00pm Kansas City Public Library 1410 W 10th St. KC MO 64105

Guild meetings, 7:00 p.m., Jacob's Well Church, 1617 W. 42nd St., To reach us "during the meetings, call: KCMO. (816) 561-8177

#### Executive Meetings

#### Guild Meetings

**2008**

January 2nd  
February 6th  
March 5th  
April 2nd  
May 7th  
June 4th  
July 2nd  
August 6th  
September 3rd  
October 1st  
November 5th  
December 3rd

January 16th  
February 20th  
March 19th  
April 16th  
May 21st  
June 18th  
July 16th  
August 20th  
September 17th  
October 15th  
November 19th  
December 17th

All members are welcome at any board meeting. A call to one of the Officers is all that is necessary.

### Show and Tell:

**Rachel Roush** (Tim Helfrich's daughter) brought in her first project. A box made from Ash & Oak. It will have a Marine medallion inset in the lid and the finish is yet to be determined.

**Bill Evans** brought in two pens he turned. One made from zebra wood and the other from redwood burl. He chose to use cca for the finish.

The Guild wishes to thank all those individuals who worked hard to make this year's Christmas Party a great success. And here's to a great and prosperous New Year to all.